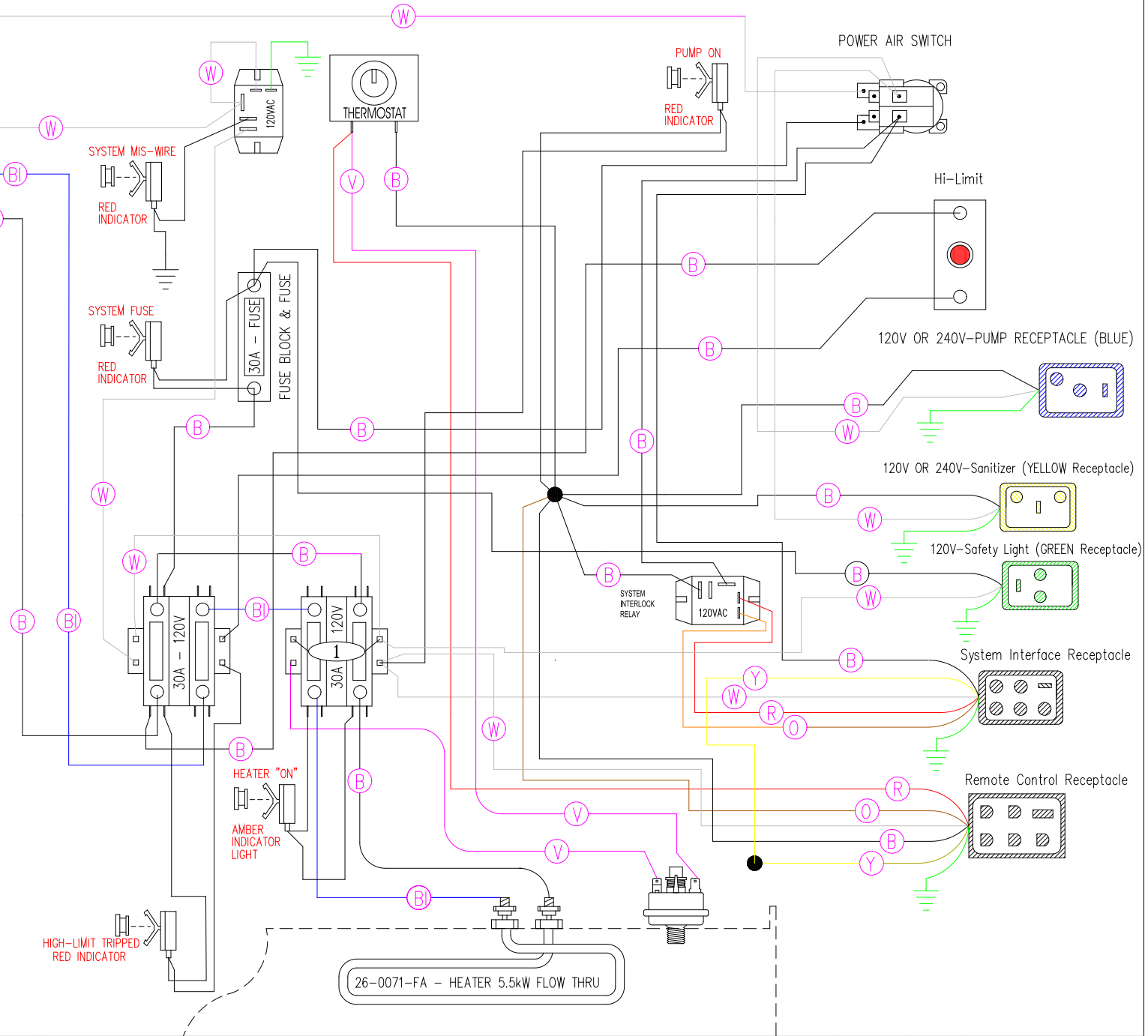
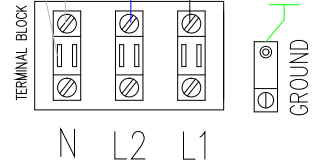


DEFAULT PUMP & SANITIZER VOLTAGE IS 120V

MOVE WHITE WIRE W/RED SHRINK TUBING TO L2 ON TERMINAL BLOCK FOR 240V PUMP & SANITIZER



VDS CONFIGURATION

- HEATER "ON"
- PUMP "ON"
- CHECK SYSTEM FUSE
- HIGH-LIMIT TRIPPED
- SYSTEM MIS-WIRE

Manufacture Notes:

Dwg. No. 10000-KQTY-J

Drawn MBS Rev 01

Date 06.18.15

Diagram No. 2037

Wire Color Code

- | | |
|------------|------------|
| B - Black | G - Green |
| Br - Brown | Bl - Blue |
| R - Red | V - Violet |
| O - Orange | W - White |
| Y - Yellow | Gr - Gray |

26-0071-FA - HEATER 5.5kW FLOW THRU